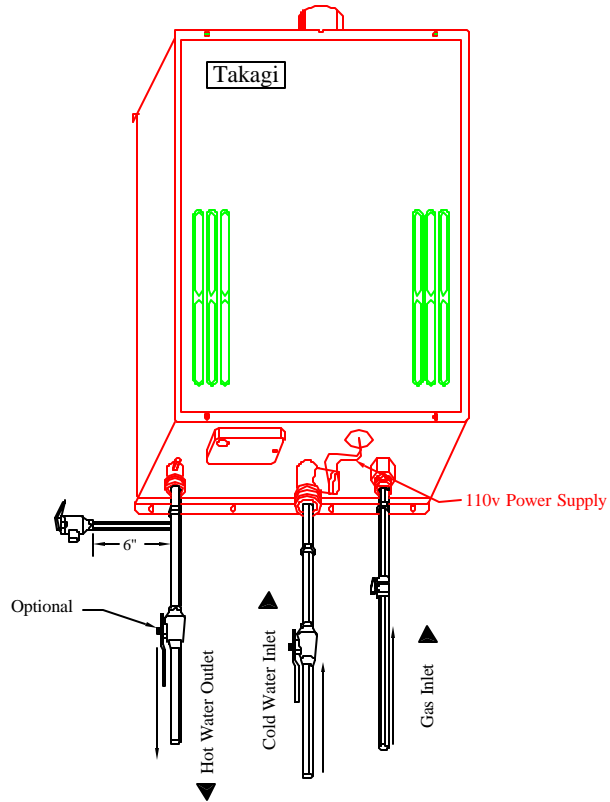


A T-M1 System






| QTY | Basic Application Specs. |
|-----|--------------------------|
| 1 | T-M1 |
| 1 | TK-TV03 |
| 1 | TM-RE10 Optional |
| | |



Takagi USA

3-B Goodyear
 Irvine, CA 92618
 Phone: (888) 882-5244
 Fax: (949) 770-3171
 www.Takagi-USA.com

Note: This drawing is intended as a basic guide. Local and State Codes dictate correct installation .
 Each individual application and gas pipe diameter must be sized correctly.

| | | | | | |
|---|-------------------------------------|---|----------------------------|---|--------------|
|  | Min. Ø 3/4" Gas Shut-off Ball Valve |  | Pressure Only Relief Valve |  | Check Valves |
|  | Water Shut-off Ball Valves |  | Unions | | |