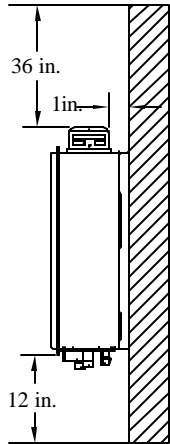
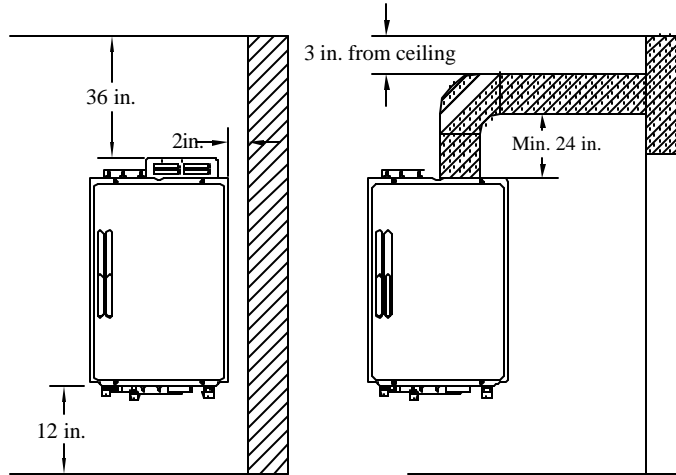


Outdoor Installation



Indoor Installation



Minimum recommended Air Supply to water heater

Max. BTU Rating	Outside Air Area	Inside Air Area
140,000	42 Square Inch	165 Square Inch

Flue Vent

Diameter	Max. No. of Elbows	Max. Vertical or Horizontal run in length
4 ft.	3 Elbows	35 ft.

Deduct 5 ft. from max. length for any added 90 degree elbow

